

POUL

Wall Mount, Pendant, Post Top



PROJECT

DATE

COMMENTS

STANDARD FEATURES

- Classic Architectural Design
- Heavy Gauge Aluminum Construction Suitable For Outdoor Environment
- Extruded And Laser Cut Aluminum Housing
- Clear Acrylic Lens
- Infinite Applications
- Four Mounting Options Available
- One Size



SERIES	MODEL	LED LAMP	LUMENS	CCT CRI 80	VOLT	CONTROL	COLOR	OPTIONS
POUL	WM = Wall Mount	35W	2000 UP / 2000 DOWN	K27 = 2700K	120/277 UNV	DD = 0-10V Dimming Driver	TAL = Textured Aluminum	PE = Photocell MS = Motion Sensor
	PM = Pendant Mount	35W	2000 UP / 2000 DOWN	K3 = 3000K			TBK = Textured Black	
	PT = Post Top	70W	6000 to 8000	K35 = 3500K K4 = 4000K K5 = 5000K			TBZ = Textured Bronze TWH = Textured White CC = Custom Color RAL = RAL Color	

ORDERING INFORMATION

SERIES	MODEL	LED LAMP	LUMENS	CCT CRI 80	VOLT	CONTROL	COLOR	OPTIONS

ORDERING EXAMPLE: POUL - WM - L ED 35W - 2000 UP/2000 DOWN - K3 - 120/277 - DD - TAL

Consult factory for voltage and other lamp options. Product specifications subject to change without notice.

1. Programmable drivers at the PACE factory
2. Color tunable
3. Capable of remote dimming
4. Can be equipped with motion sensors for on/off functioning
5. Can be equipped with light sensors for dusk-to-dawn automatic on/off operation
6. Bluetooth commissioning sensor capability for Android and iOS



PACE Illumination 5500 West 111th Street | Oak Lawn, Illinois 60453 | 708-499-1700 | quotes@paceillumination.com

Although PACE has prepared the information contained in this document with all due care, PACE does not warrant or represent that the information is free from errors or omission. Whilst the information is considered to be true and correct at the date of publication, changes in circumstances after the time of publication may impact on the accuracy of the information. The information may change without notice and PACE is not in any way liable for the accuracy of any information printed and stored or in any way interpreted or used.

In the interest of product improvement, Pace reserves the right to make technical and product specification changes without notice. Consult factory for voltage and other lamp options.

REV DATE:
10192023

POUL

Wall Mount, Pendant, Post Top



SIZES

- One Size

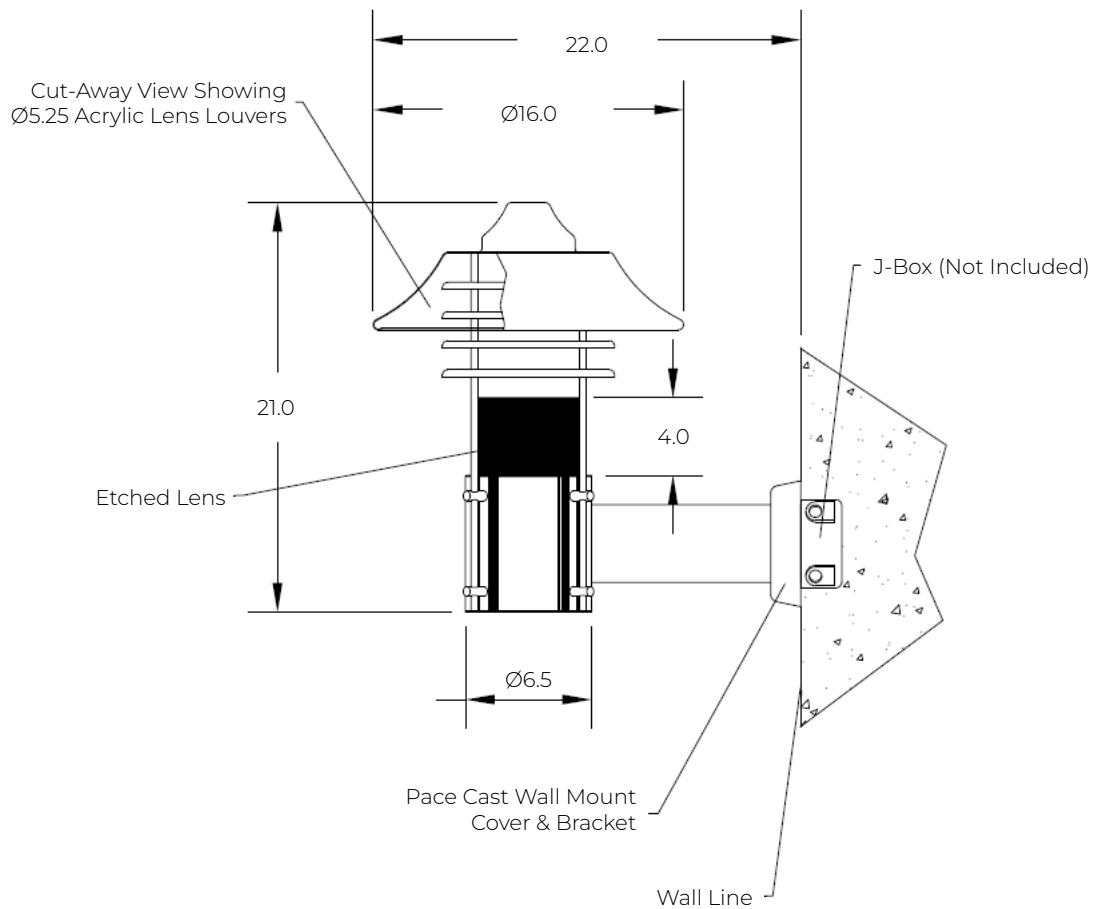
MOUNTING

- Wall Mount
- Pendant Mount
- Post Top

COLOR

- Textured or smooth polyester powder coat finishes
- RAL colors available

DIMENSIONS



PACE Illumination 5500 West 111th Street | Oak Lawn, Illinois 60453 | 708-499-1700 | quotes@paceillumination.com

Although PACE has prepared the information contained in this document with all due care, PACE does not warrant or represent that the information is free from errors or omission. Whilst the information is considered to be true and correct at the date of publication, changes in circumstances after the time of publication may impact on the accuracy of the information. The information may change without notice and PACE is not in any way liable for the accuracy of any information printed and stored or in any way interpreted or used.

In the interest of product improvement, Pace reserves the right to make technical and product specification changes without notice. Consult factory for voltage and other lamp options.

REV DATE:
10192023