

RONDELLA

ROND 1 - Flat Top



PROJECT

DATE

COMMENTS

STANDARD FEATURES

- Heavy Gauge Spun Aluminum Flat Top Housing
- High Performance Optical System



SERIES	MODEL	SIZE	LAMP	LUMENS	CCT CRI 80	VOLT	CONTROL	COLOR	BEAM ANGLE	MOUNTING	OPTIONS
ROND1	1690	L = 20" Diameter	LED	10000 to 65000	K27 = 2700K K3 = 3000K K35 = 3500K K4 = 4000K K5 = 5000K	120-277V UNV	DD = 0-10V Dimming Driver	TAL = Textured Aluminum TBK = Textured Black TBZ = Textured Bronze TWH = Textured White CC = Custom Color RAL = RAL Color	60 = 60° Angle 90 = 90° Angle 120 = 120° Angle	WM = Wall Mount PAM = Pole Arm Mount PAM2/180 = 2 Arms at 180° PAM2/90 = 2 Arms at 90° PAM3/120 = 3 Arms at 120° PAM4/90 = 4 Arms at 90°	MS = Motion Sensor PE1 = Photocell 120V PE2 = Photocell 277V
ORDERING INFORMATION											
SERIES	MODEL	SIZE	LAMP	LUMENS	CCT CRI 80	VOLT	CONTROL	COLOR	BEAM ANGLE	MOUNTING	OPTIONS

ORDERING EXAMPLE: ROND1 - 1690 - L - LED - 22500 - K4 - 120/277 - DD - TWH - 90 - PAM - PE1

Consult factory for voltage and other lamp options. Product specifications subject to change without notice.

1. Programmable drivers at the PACE factory
2. Color tunable
3. Capable of remote dimming
4. Can be equipped with motion sensors for on/off functioning
5. Can be equipped with light sensors for dusk-to-dawn automatic on/off operation
6. Bluetooth commissioning sensor capability for Android and iOS



PACE Illumination 5500 West 111th Street | Oak Lawn, Illinois 60453 | 708-499-1700 | quotes@paceillumination.com

Although PACE has prepared the information contained in this document with all due care, PACE does not warrant or represent that the information is free from errors or omission. Whilst the information is considered to be true and correct at the date of publication, changes in circumstances after the time of publication may impact on the accuracy of the information. The information may change without notice and PACE is not in any way liable for the accuracy of any information printed and stored or in any way interpreted or used.

In the interest of product improvement, Pace reserves the right to make technical and product specification changes without notice. Consult factory for voltage and other lamp options.

REV DATE:
10192023

RONDELLA

ROND 1 - Flat Top



SIZES

- 20" diameter

MOUNTING

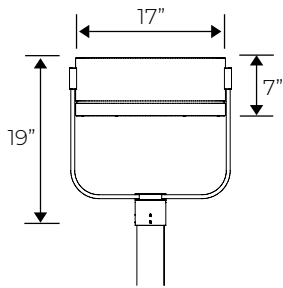
- Yoke mount, Wall mount, Pole arm mount
- See technical data sheets for details

COLOR

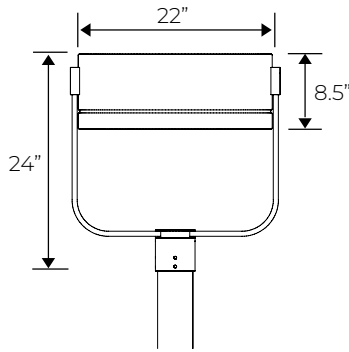
- Textured or smooth polyester powder coat finishes
- RAL colors available

DIMENSIONS

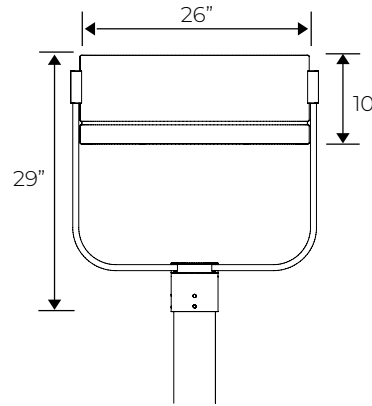
Small / EPA = 0.8



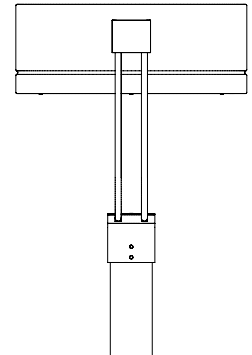
Medium / EPA = 11



Large / EPA = 13



Yoke Mount Side View (Standard)



MOUNTING CONFIGURATIONS

Side View PAM

