



## **NIMBUS**

### **HPGL - Pendant**

**Three sizes - 13", 17" and 23" diameter**

**Heavy gauge aluminum construction for efficient heat dissipation**

**High performance prismatic optics provide high levels of vertical illumination with minimal glare**

**Heavy gauge aluminum concentric louvers reduce glare and protect lens from impact**

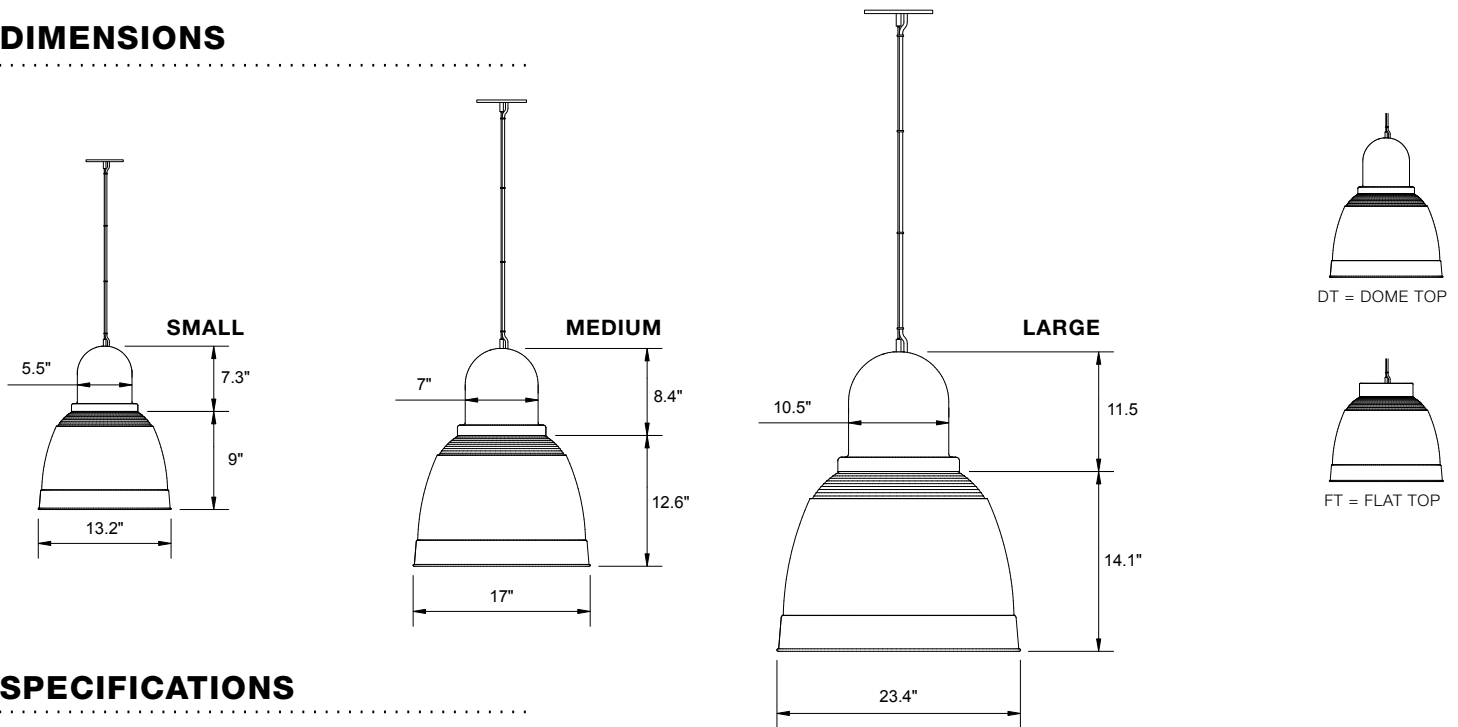
**Polyester powder coat finish**



# NIMBUS

## HPGL - Pendant

### DIMENSIONS



### SPECIFICATIONS

#### SIZES

Small = 13.2" diameter  
 Medium = 17" diameter  
 Large = 23.4" diameter

#### MOUNTING

Air craft cable, cord or stem

#### COLOR

Textured or smooth polyester powder coat finishes  
 RAL colors available

#### BALLASTS

Compact fluorescent = HPF Electronic  
 HID = HPF Magnetic

#### OPTIONS

Consult factory for details

#### MAXIMUM LAMP TYPE\*

	SMALL	MEDIUM	LARGE
Incandescent	100 watts	150 watts	300 watts
Compact fluorescent	2x42 watts	4x42 watts	8x42 watts
High pressure sodium	100 watts	250 watts	400 watts
Metal halide	100 watts	250 watts	400 watts

\* Consult technical sheets for specific lamp application

#### LISTINGS



Damp location luminaire



Listed to applicable CSA and UL standards

### ADDITIONAL STYLES



HPDL



HPAL



HPII - PDR



HPII - PCL



HPII - DBR



HPII - KNST



# NIMBUS

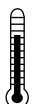
## HPGL - Pendant

### STANDARD FEATURES

- Three sizes - 13", 17" and 23" diameter
- Heavy gauge aluminum construction for efficient heat dissipation
- High performance prismatic optics provide high levels of vertical illuminance with minimal glare
- Heavy gauge aluminum concentric louvers reduce glare and protect lens from impact
- HPF Ballasts



Damp location luminaire



Designed for Maximum Ambient Temperature of 35 degrees Celsius (95 degrees Fahrenheit) - for other applications please consult factory



Listed to applicable CSA and UL standards



### ORDERING CODE GUIDE

SERIES	MODEL	SIZE	STYLE	LAMP	VOLT	COLOR	MOUNTING	OPTIONS
HPGL	500							
		812	DT = dome top FT = flat top ②	INC100 50MH 70MH 100MH 50HPS 70HPS 100HPS 2 X PLC13 2 X PLC18 2 X PLC26 2 X PLT32 2 X PLT42	120 277 347	<u>TEXTURED FINISHES</u> TAL = textured aluminum TBK = textured black TBZ = textured bronze TWH = textured white  <u>SMOOTH FINISHES</u> AL = silverdillo BK = black BY = buttercup yellow DBZ = dark bronze DO = deep orange EG = emerald green RB = royal blue RR = rich red WH = white  RAL colors available	ACBXX = Black cord & canopy, Specify length  ACWXX = White cord & canopy, Specify length.  SMXX = Stem & Canopy, Specify Length  HHCP-BK = Hook hanger, black cord and plug  HHCP-WH = Hook hanger, white cord and plug	CFL = clear flat lens RMB2 = remote mount ballast ① QS = quartz socket QRS = quartz relay & socket  Coloured lenses are available - please consult factory
		816		INC150 175MH 250MH 250HPS 4 X 26PLC 4 X 32PLT 4 X 42PLT				
		822		INC300 400MH 400HPS 8 X 26PLC 8 X 32PLT 8 X 42PLT				

Notes:

- ① Limited availability, consult factory
- ② Incandescent or remote ballast only

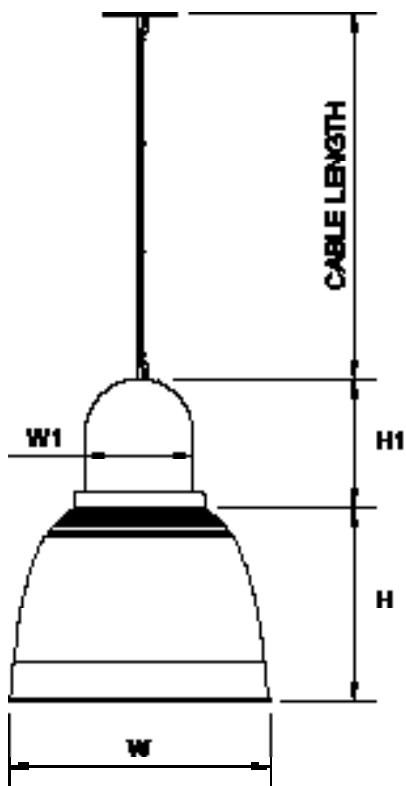


# NIMBUS

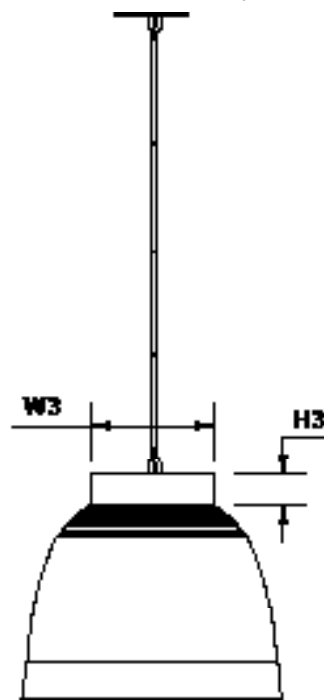
## HPGL - Pendant

### DIMENSIONS

DT = Dome top



FT = Flat Top  
(Only with remote ballast  
or incandescent)



	W	W1	W3	H	H1	H3
Small	Ø13.2"	Ø5.5"	Ø6.0"	9.0"	7.3"	2.0"
Medium	Ø17.0"	Ø7.0"	Ø8.0"	12.6"	8.4"	2.0"
Large	Ø23.4"	Ø10.5"	Ø12.0"	14.1"	11.5"	2.6"