

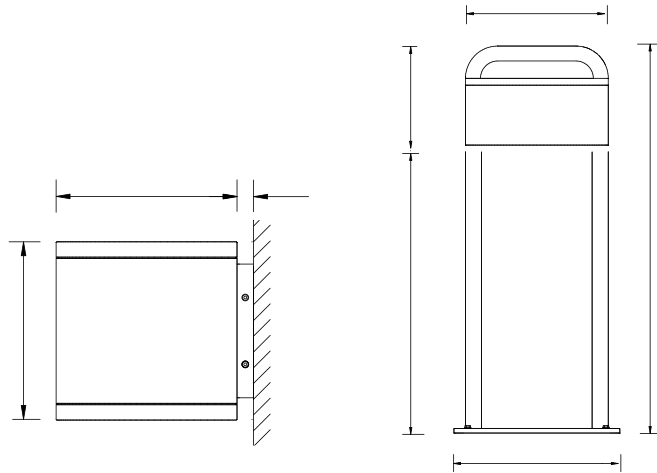
.....

.....

.....

.....

.....



Wet location luminaire



Listed to applicable CSA and UL standards



AEQS -



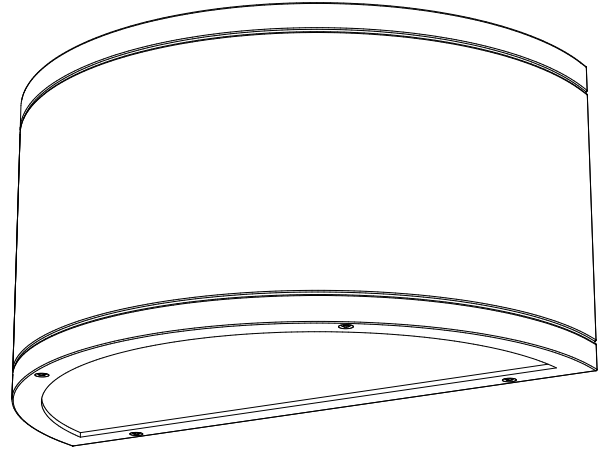
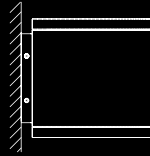
AERW -



AESW -

ROBUSTO

AEDC - Demi-Cylinder



STANDARD FEATURES

- Architectural demi-cylinder
- Die-cast aluminum construction
- Die-cast gasketed lens frame
- Clear tempered glass lens standard
- Optional prismatic lens available
- High performance specular optical systems
- Optional mounting available
- Low wattage HID and compact florescent sources
- Heavy gauge aluminum removable ballast tray with quick connectors



Wet location luminaire



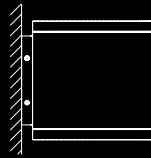
Listed to applicable CSA and UL standards

ORDERING CODE GUIDE

SERIES	MODEL	LAMP	VOLT ❶	OPTICS	COLOR	MOUNTING	OPTIONS
AEDC	1620						
		PLC13	120	NS = narrow spot	<u>TEXTURED FINISHES</u> TAL = textured aluminum	WMUD = up/down wall mount ❷	PGL = prismatic glass lens Photo cell factory installed
		PLC18	277	WW = wall wash	TBK = textured black	WMDL = wall mount, downlight	PE1 = 120 volt ❸
		PLC26	347	FF = forward fobd	TBZ = textured bronze	WMUL = wall mount, uplight	PE2 = 277 volt ❸
		PLT32			TWH = textured white	BM/S = bollard mount, single	EMB = emergency ballast in PL downlighting only
		PLT42					
		35HPS					
		50HPS					
		70HPS					
		100HPS					
		50MH					
		70MH					
		100MH					

Notes:

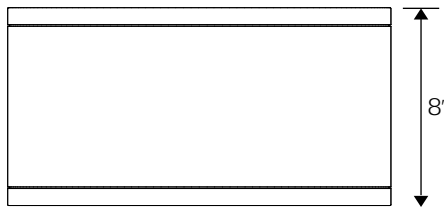
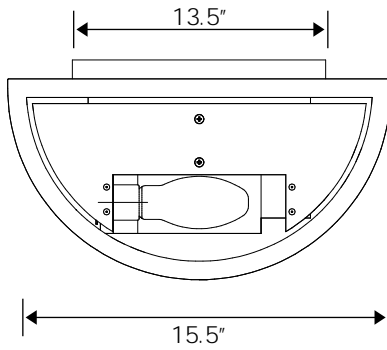
- ❶ Not all voltages are available for all lamp types, please consult factory
- ❷ No FF uplight available
- ❸ Downlight only



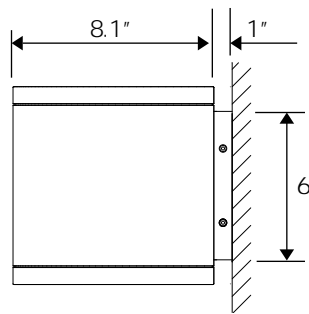
ROBUSTO

AEDC - Demi-Cylinder

DIMENSIONS



WM = wall mount



BM = bollard mount

