

# STEPS

## HRCL - Wall Mount



PROJECT

DATE

COMMENTS

### STANDARD FEATURES

- Die-Cast Louvered Aluminum Faceplate
- Prismatic Tempered Glass Lens
- Galvanized Steel And Powder Coated Back Box
- Suitable For Concrete Or Non Insulated Wall
- Closed Cell Continuous Neoprene Gasket



SERIES	MODEL	SIZE	LAMP	LUMENS	CCT CRI 80	VOLT	CONTROL	COLOR	OPTIONS
HRCL	5000	S = Small M = Medium	LED	800	K27 = 2700K K3 = 3000K K35 = 3500K K4 = 4000K K5 = 5000K	120-277 UVV	DD = 0-10V Dimming Driver	TAL = Textured Aluminum TBK = Textured Black TBZ = Textured Bronze TWH = Textured White CC = Custom Color RAL = RAL Color	NLU = No Louver Face Plate* OPL = Opal Polycarbonate Lens

### ORDERING INFORMATION

SERIES	MODEL	SIZE	LAMP	LUMENS	CCT CRI 80	VOLT	CONTROL	COLOR	OPTIONS

ORDERING EXAMPLE: HRCL - 5000 - M - LED - 800 - K3 - 120/277 - TBZ - OPL

*\*Small size only*

Consult factory for voltage and other lamp options. Product specifications subject to change without notice.

1. Programmable drivers at the PACE factory
2. Color tunable
3. Capable of remote dimming
4. Can be equipped with motion sensors for on/off functioning
5. Can be equipped with light sensors for dusk-to-dawn automatic on/off operation
6. Bluetooth commissioning sensor capability for Android and iOS



PACE Illumination 5500 West 111<sup>th</sup> Street | Oak Lawn, Illinois 60453 | 708-499-1700 | quotes@paceillumination.com

Although PACE has prepared the information contained in this document with all due care, PACE does not warrant or represent that the information is free from errors or omission. Whilst the information is considered to be true and correct at the date of publication, changes in circumstances after the time of publication may impact on the accuracy of the information. The information may change without notice and PACE is not in any way liable for the accuracy of any information printed and stored or in any way interpreted or used.

In the interest of product improvement, Pace reserves the right to make technical and product specification changes without notice. Consult factory for voltage and other lamp options.

REV DATE:  
10192023

# STEPS

## HRCL - Wall Mount



### SIZES

- Small = 10.5" x 4.3"
- Medium = 10.5" x 5.3"

### MOUNTING

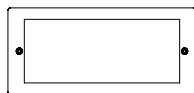
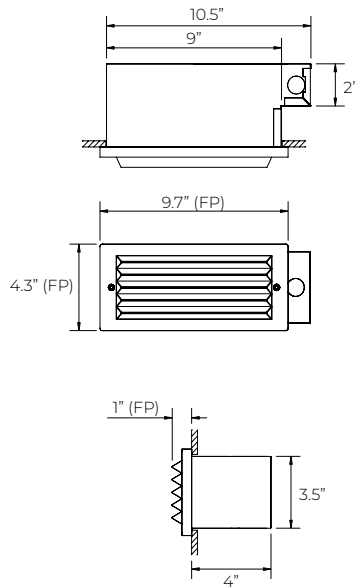
- Recessed Wall

### COLOR

- Textured or smooth polyester powder coat finishes
- RAL colors optional

### DIMENSIONS

#### Small



**NLU**  
No Louver Face Plate

#### Medium

