



RONDELLA

ROND 4 - Crown Top

STANDARD FEATURES

- Heavy gauge aluminum construction
- Die-cast aluminum hinged lens frame secured by 1/4 turn captive fasteners
- Tempered clear flat glass lens
- High performance reflector systems
- Horizontal or vertical positions
- Field rotatable optics
- Clear tempered convex lens



Intertek



SERIES	MODEL	SIZE	LAMP	OPTICS	VOLT	LUMENS	CCT	CONTROL	COLOR	MOUNTING	COMMON OPTIONS
ROND 4	1690	S=17"	55WLED	TYPE I TYPE II TYPE III	120-277UNV 347-480UNV	4507	5000	0-10V DIM	TAL: Textured Aluminum TBK: Textured Black TBZ: Textured Bronze TWH: Textured White	WMB1 = wall mount bracket WMB2= wall mount bracket POLE ARM MOUNTS^ PAM= pole arm mount PAM2/180= 2 arms at 180° PAM2/90= 2 arms at 90° PAM3/120= 3 arms at 120° PAM4/90= 4 arms at 90°	Photo cell factory installed PE1= 120V PE2= 277V CL= Convex lens HSS House side shield (N/A with optics 5V) EM = Emergency Backup MS = Motion sensor BT = Bluetooth sensor RD = Remote dimming
			125WLED			10,000	5000				

ORDERING INFORMATION											
SERIES	MODEL	SIZE	LAMP	OPTICS	VOLT	LUMENS	CCT	CONTROL	COLOR	MOUNTING	COMMON OPTIONS

^ Please indicate size of pole when ordering / Other CCT colors available

Consult factory for voltage and other lamp options. Product specifications subject to change without notice.

1. Programmable drivers at the PACE factory
2. Color tunable
3. Capable of remote dimming
4. Can be equipped with motion sensors for on/off functioning
5. Can be equipped with light sensors for dusk-to-dawn automatic on/off operation
6. Bluetooth commissioning sensor capability for Android and iOS

Although PACE has prepared the information contained in this document with all due care, PACE does not warrant or represent that the information is free from errors or omission. Whilst the information is considered to be true and correct at the date of publication, changes in circumstances after the time of publication may impact on the accuracy of the information. The information may change without notice and PACE is not in any way liable for the accuracy of any information printed and stored or in any way interpreted or used.

In the interest of product improvement, Pace reserves the right to make technical and product specification changes without notice. Consult factory for voltage and other lamp options.



RONDELLA

ROND 4 - Crown Top

SIZES
 Small = 17" diameter
 Medium = 22" diameter

MOUNTING
 Pole arm mount
 See technical data sheets for details

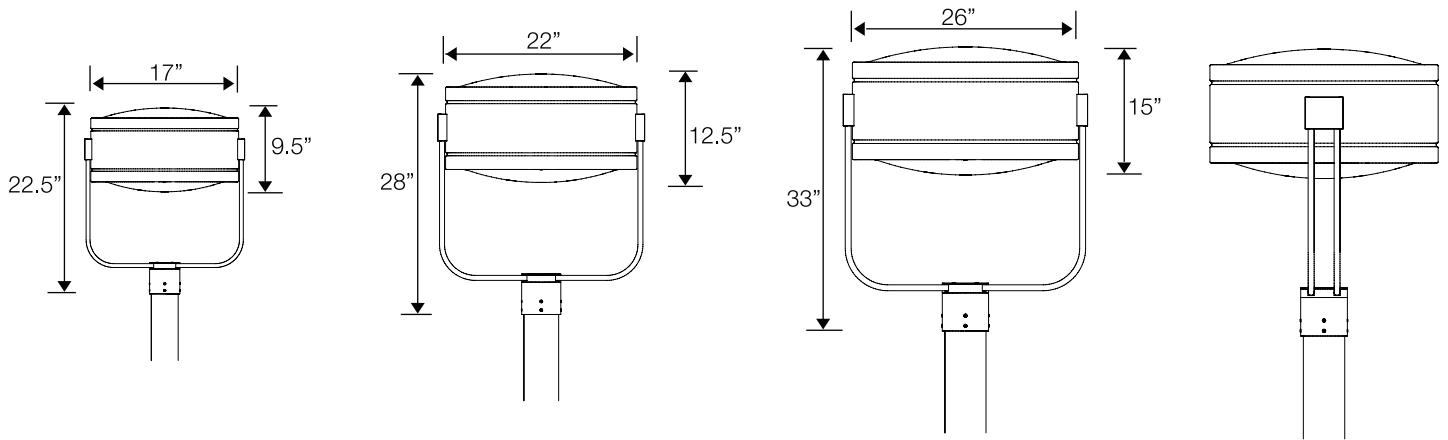
COLOR
 Textured or smooth polyester powder coat finishes
 RAL colors available

Small / EPA = 0.9

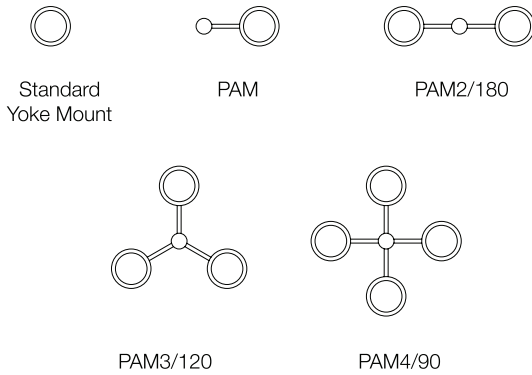
Medium / EPA = 1.2

Large / EPA = 1.4

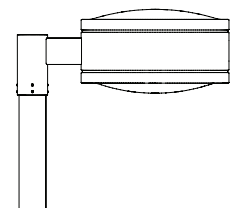
YM side view



Mounting Configurations



SIDE VIEW PAM



Although PACE has prepared the information contained in this document with all due care, PACE does not warrant or represent that the information is free from errors or omission. Whilst the information is considered to be true and correct at the date of publication, changes in circumstances after the time of publication may impact on the accuracy of the information. The information may change without notice and PACE is not in any way liable for the accuracy of any information printed and stored or in any way interpreted or used.

In the interest of product improvement, Pace reserves the right to make technical and product specification changes without notice. Consult factory for voltage and other lamp options.