

TORRES

Bollard Mount



PROJECT

DATE

COMMENTS

STANDARD FEATURES

- Sophisticated fixture exhibiting classic minimalist aesthetics.
- The brushed stainless steel construction and tempered borosilicate lens provide a durable, high performance structure making the fixture a stylish option for outdoor installation.
- The timeless form complements the most urbane residential or institutional installations.
- Simple, two-piece construction offers easy re-lamping without breaking the lens seals.
- Aluminum construction available at customer's request



SERIES	MODEL	OAH SIZE	LAMP	LUMENS	CCT	VOLT	CONTROL	COLOR	OPTIONS
TORRES	550	S = 36" L = 42"	LED	1500 TO 4000LM	K27 = 2700K K3 = 3000K K35 = 3500K K4 = 4000K K5 = 5000K	120-277 UNV	DD = 0-10V Dimming Driver	SS = Stainless Steel CC = Custom Color Available For Aluminum Construction	EM = Emergency Backup

ORDERING INFORMATION

SERIES	MODEL	OAH SIZE	LAMP	LUMENS	CCT	VOLT	CONTROL	COLOR	OPTIONS

ORDERING EXAMPLE: TORRES - 550 - L - LED - 2400 - K3 - 120/277 - DD - SS

Consult factory for voltage and other lamp options. Product specifications subject to change without notice.

1. Programmable drivers at the PACE factory
2. Color tunable
3. Capable of remote dimming
4. Can be equipped with motion sensors for on/off functioning
5. Can be equipped with light sensors for dusk-to-dawn automatic on/off operation
6. Bluetooth commissioning sensor capability for Android and iOS



PACE Illumination 5500 West 111th Street | Oak Lawn, Illinois 60453 | 708-499-1700 | quotes@paceillumination.com

Although PACE has prepared the information contained in this document with all due care, PACE does not warrant or represent that the information is free from errors or omission. Whilst the information is considered to be true and correct at the date of publication, changes in circumstances after the time of publication may impact on the accuracy of the information. The information may change without notice and PACE is not in any way liable for the accuracy of any information printed and stored or in any way interpreted or used.

In the interest of product improvement, Pace reserves the right to make technical and product specification changes without notice. Consult factory for voltage and other lamp options.

REV DATE:
10122023

TORRES

Bollard Mount



SIZES

- Small = 36"
- Large = 42"
- 8" diameter
- Custom height available upon request

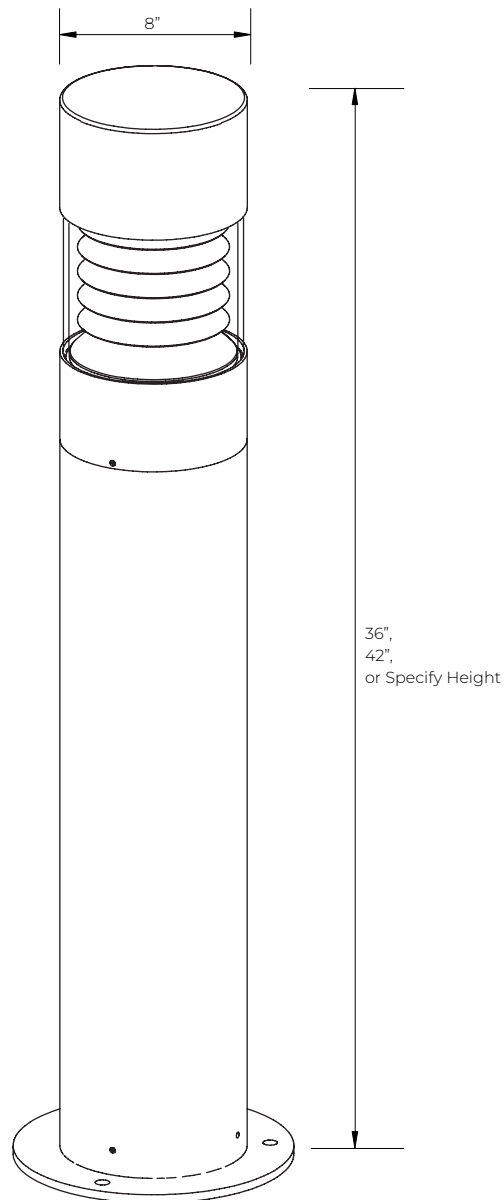
MOUNTING

- Bollard

COLOR

- Textured or smooth polyester powder coat finishes
- RAL colors available

DIMENSIONS



PACE Illumination 5500 West 111th Street | Oak Lawn, Illinois 60453 | 708-499-1700 | quotes@paceillumination.com

Although PACE has prepared the information contained in this document with all due care, PACE does not warrant or represent that the information is free from errors or omission. Whilst the information is considered to be true and correct at the date of publication, changes in circumstances after the time of publication may impact on the accuracy of the information. The information may change without notice and PACE is not in any way liable for the accuracy of any information printed and stored or in any way interpreted or used.

In the interest of product improvement, Pace reserves the right to make technical and product specification changes without notice. Consult factory for voltage and other lamp options.

REV DATE:
10122023