

PAMPAS

TPPT - Post Top



PROJECT

DATE

COMMENTS

STANDARD FEATURES

- Classic Architectural Design
- Heavy Gauge Construction Suitable for Outdoor Environments
- Extruded And Laser Cut Aluminum Housing
- Milky White Acrylic Lens
- Applications - Landscapes / Pedestrian Paths



SERIES	MODEL	OAH HEIGHT	LED LAMP	LUMENS	CCT CRI 80	VOLT	CONTROL	COLOR	MOUNTING	OPTIONS
TPPT	4000	S = SMALL	18W	2000	K27 = 2700K	120/277 UNV	DD = 0-10V Dimming Driver	TAL = Textured Aluminum	SC3 = 3" Square Pole	PE = Photocell EM = Emergency Backup MS = Motion Sensor
		M = MEDIUM	35W	4000	K3 = 3000K			TBK = Textured Black	SC4 = 4" Square Pole	
		L = LARGE	70W	8000	K35 = 3500K			TBZ = Textured Bronze	SC5 = 5" Square Pole	
					K4 = 4000K			TWH = Textured White	RC3 = 3" Round Pole	
					K5 = 5000K					
								CC = Custom Color	RC4 = 4" Round Pole	
								RAL = RAL Color	RC5 = 5" Round Pole	

ORDERING INFORMATION

SERIES	MODEL	OAH HEIGHT	LED LAMP	LUMENS	CCT CRI 80	VOLT	CONTROL	COLOR	MOUNTING	OPTIONS

ORDERING EXAMPLE: TPPT - 4000 - S - LED 20W - 2500 - K27 - 120/277 - DD - TAL - RC3

Consult factory for voltage and other lamp options. Product specifications subject to change without notice.

1. Programmable drivers at the PACE factory
2. Color tunable
3. Capable of remote dimming
4. Can be equipped with motion sensors for on/off functioning
5. Can be equipped with light sensors for dusk-to-dawn automatic on/off operation
6. Bluetooth commissioning sensor capability for Android and iOS



PACE Illumination 5500 West 111th Street | Oak Lawn, Illinois 60453 | 708-499-1700 | quotes@paceillumination.com

Although PACE has prepared the information contained in this document with all due care, PACE does not warrant or represent that the information is free from errors or omission. Whilst the information is considered to be true and correct at the date of publication, changes in circumstances after the time of publication may impact on the accuracy of the information. The information may change without notice and PACE is not in any way liable for the accuracy of any information printed and stored or in any way interpreted or used.

In the interest of product improvement, Pace reserves the right to make technical and product specification changes without notice. Consult factory for voltage and other lamp options.

REV DATE:
10192023

PAMPAS

TPPT - Post Top



SIZES

- Small = 10.5" x 10.5"
- Medium = 14.5" x 14.5"
- Large = 20" x 20"

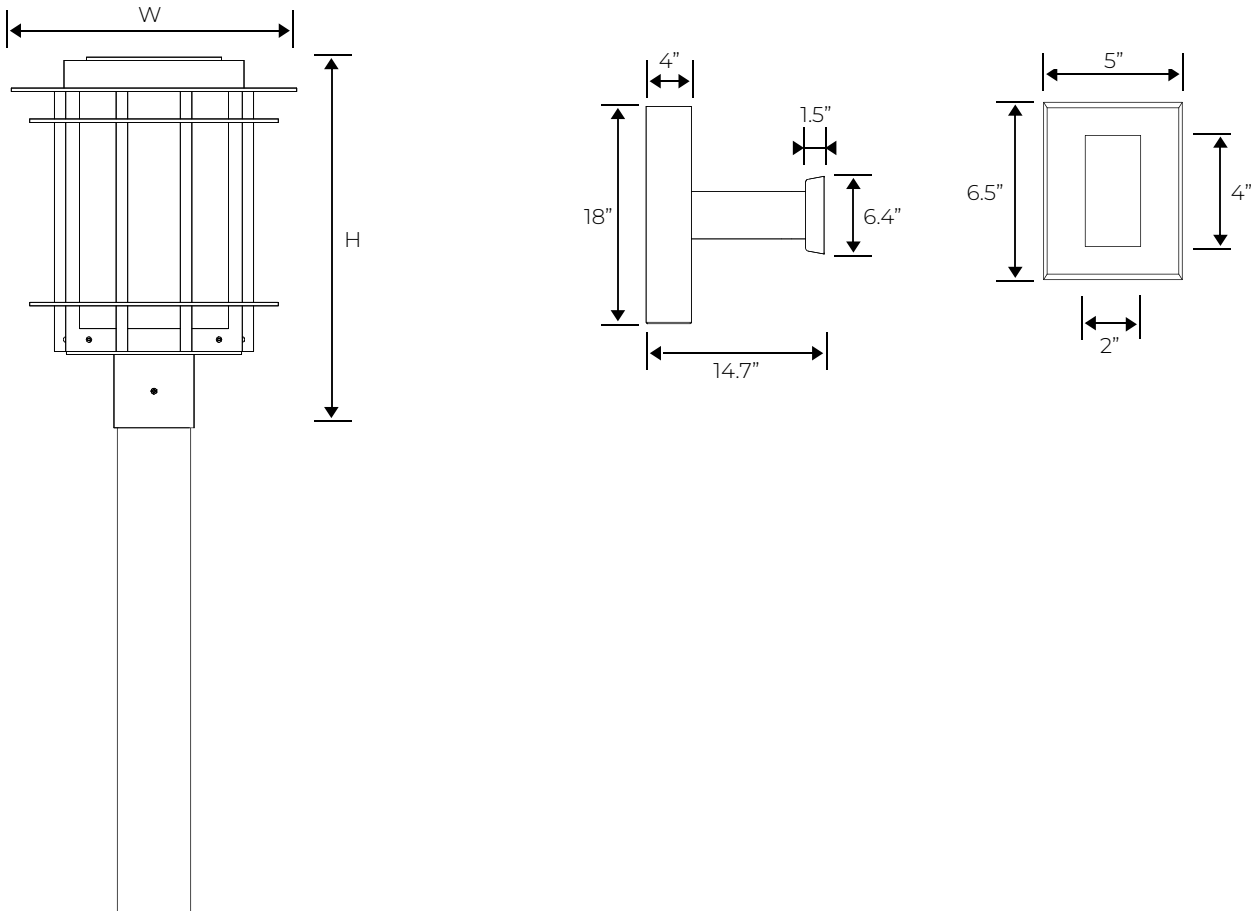
MOUNTING

- Three sizes of tenon pole mount

COLOR

- Textured or smooth polyester powder coat finishes
- RAL colors available

DIMENSIONS



	W	H	EPA
Small	10.5"	14.5"	1.9
Medium	14.5"	18.5"	2.5
Large	20.0"	24.0"	3.0



PACE Illumination 5500 West 111th Street | Oak Lawn, Illinois 60453 | 708-499-1700 | quotes@paceillumination.com

Although PACE has prepared the information contained in this document with all due care, PACE does not warrant or represent that the information is free from errors or omission. Whilst the information is considered to be true and correct at the date of publication, changes in circumstances after the time of publication may impact on the accuracy of the information. The information may change without notice and PACE is not in any way liable for the accuracy of any information printed and stored or in any way interpreted or used.

In the interest of product improvement, Pace reserves the right to make technical and product specification changes without notice. Consult factory for voltage and other lamp options.

REV DATE:
10192023