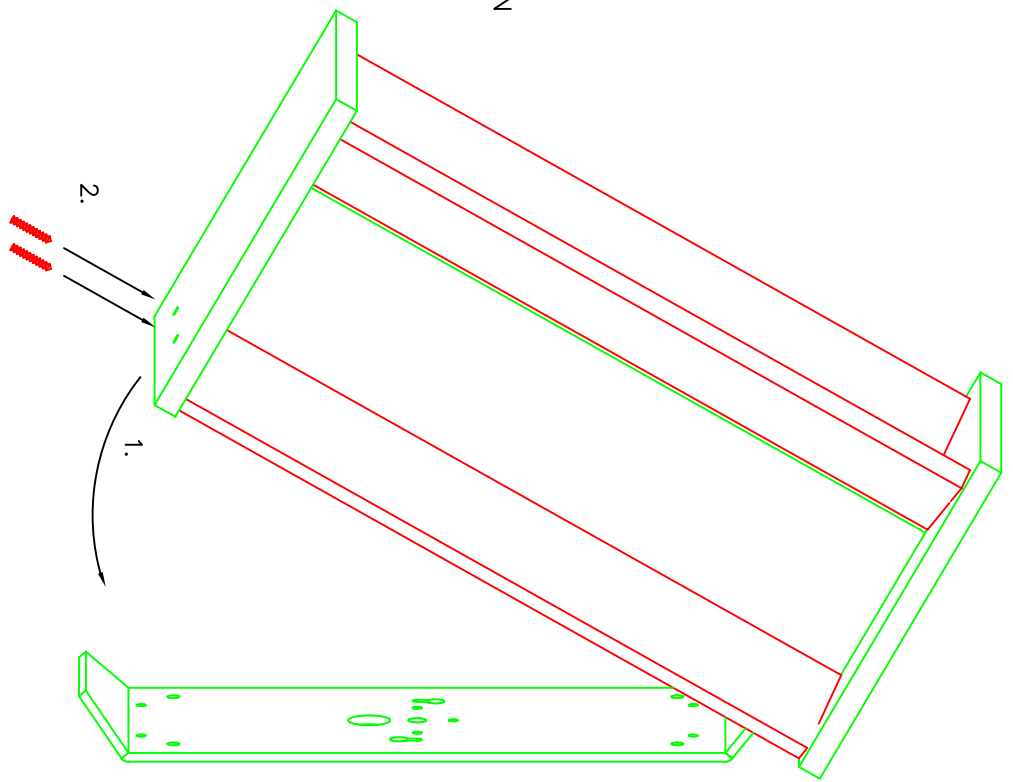


2 TYPICAL KEY SLOT HOLES AT 3.5" APART TO MOUNT TO STANDARD 4" JUNCTION BOX

0.8750" TYPICAL WIREWAY HOLE

4 TYPICAL 1/4" MOUNTING HOLES



1. AFTER MOUNTING WALL PLATE TO SURFACE, HOOK TOP OF CAGE TO WALL BRACKET AND SWING IT DOWN AGAINST THE SURFACE.

2. SCREW IN SUPPLIED SET SCREWS TO COMPRESS CAGE AGAINST SURFACE AND COMPLETELY ATTACH CAGE.

REV#:	DATE:	DESCRIPTION / INITIAL	PRODUCT CODE	UNITS	INCHES	SIZE	LETTER
			TESSERA-LARGE-WM-INSTRUCTIONS	DRW BY	DAMION	DATE	05SEP20
			DESCRIPTION	SHEET		DATE	
			MATERIAL	SCALE		DATE	
					APRV BY		