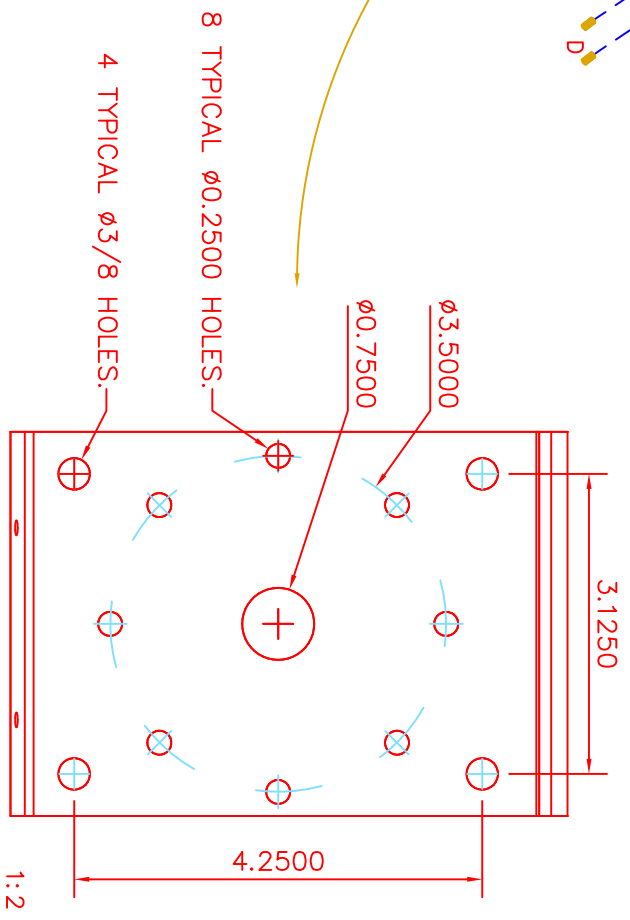
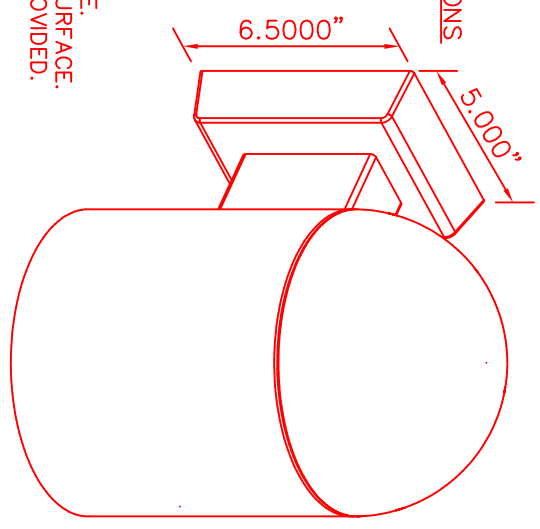


- A = MOUNT WALL PLATE TO SURFACE.  
 B = CLIP AND HANG WALL BOX ON WALL PLATE.  
 C = SWING WALL BOX SHUT, FLUSH AGAINST SURFACE.  
 D = SECURE WALL BOX USING SET SCREWS PROVIDED.

FINISHED DIMENSIONS



PRODUCT CODE		EDTC-WAM INSTALLATION		DESCRIPTION		EDTC WAM MOUNTING DETAILS		<b>PACCE</b>	
MATERIAL		REF		DRW BY	PARM	DATE	05SEP09	<b>ILLUMINATION</b>	
SIZE LETTER	SCALE	UNIT	INCHES	SHEET	10F1	REV		DES BY	