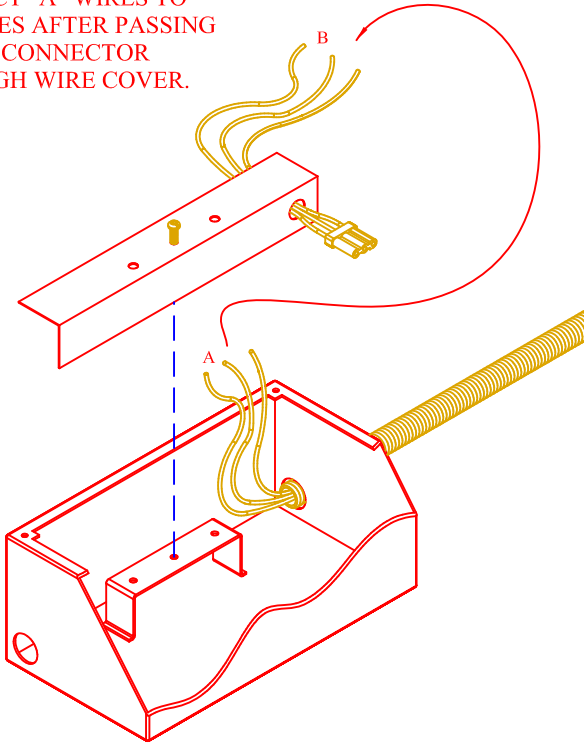
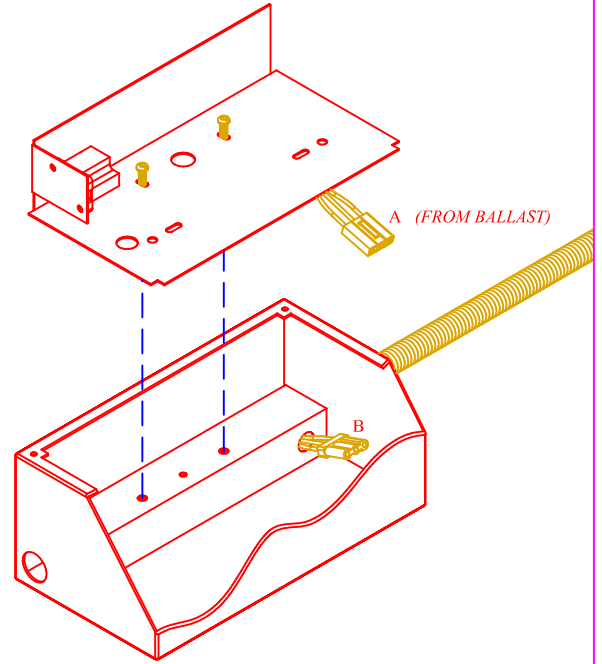


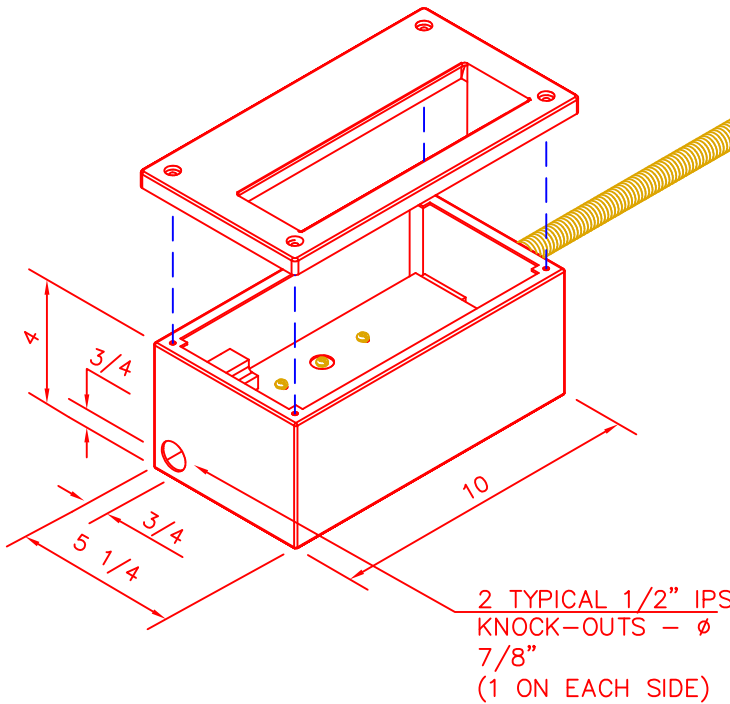
1) CONNECT "A" WIRES TO "B" WIRES AFTER PASSING MOLEX CONNECTOR THROUGH WIRE COVER.



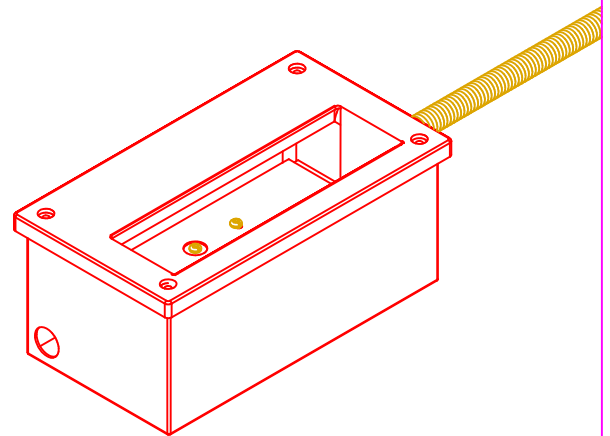
2) CONNECT MOLEX CONNECTOR "A" TO MOLEX CONNECTOR "B" BEFORE MOUNTING BALLAST TRAY.



3) INSTALL CAST FACE PLATE.



4) FINISHED.



PRODUCT CODE		UNITS		INCHES	SIZE	LETTER	<small>CVForm_Verking\Other\Floor_Logs_MidP</small>
JUNIOR RECESSED LENS STEPLIGHT							
DESCRIPTION		SHEET		DRW BY	DATE		
INSTALLATION INSTRUCTIONS		10F1		PARM	02OCT01		
MATERIAL		SCALE		APRV BY	DATE		
N/A		1:5		DAN	02OCT01		