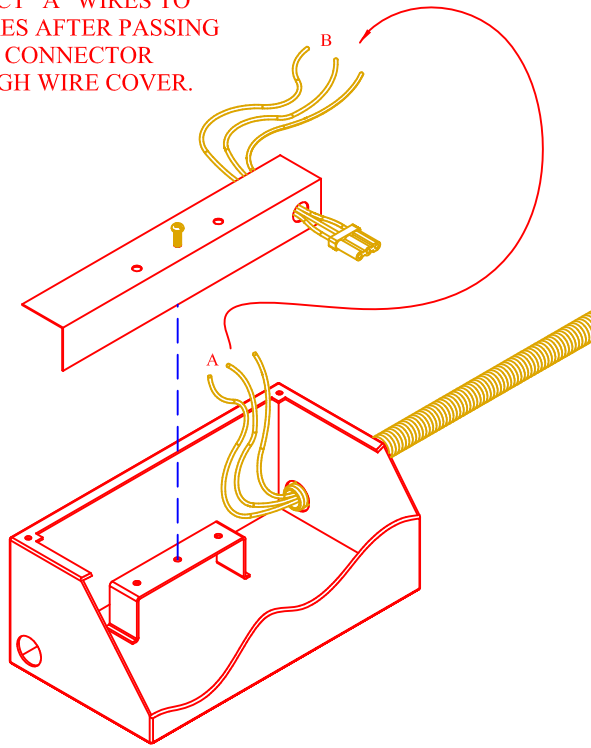
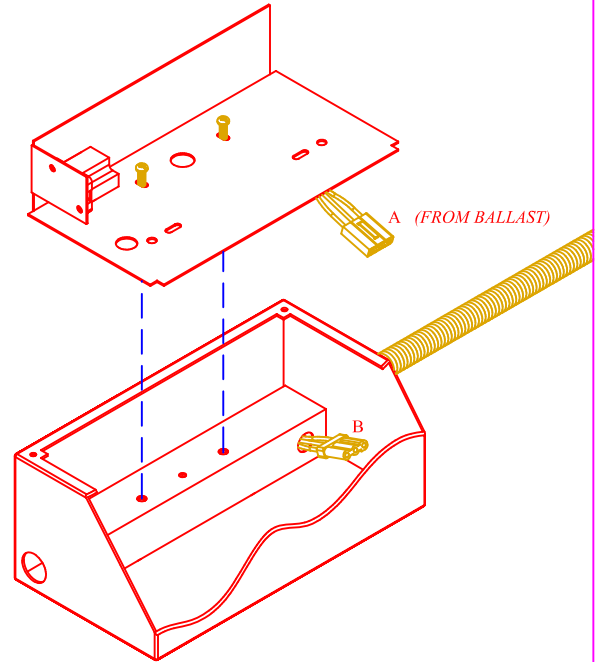


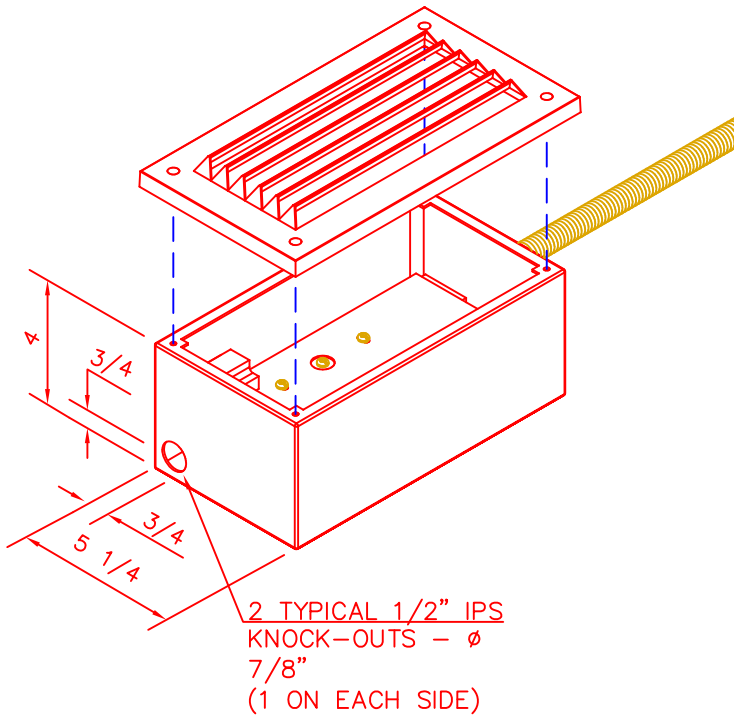
1) CONNECT "A" WIRES TO "B" WIRES AFTER PASSING MOLEX CONNECTOR THROUGH WIRE COVER.



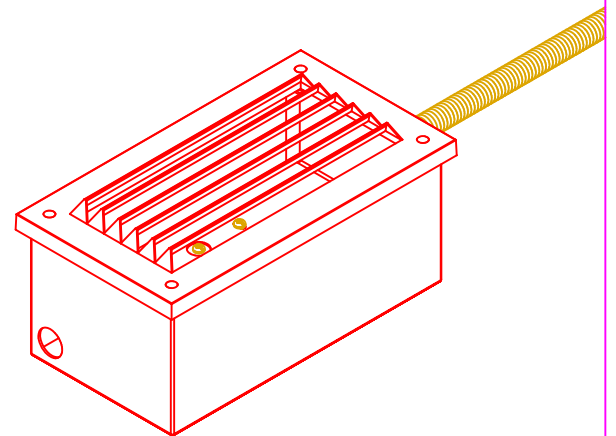
2) CONNECT MOLEX CONNECTOR "A" TO MOLEX CONNECTOR "B" BEFORE MOUNTING BALLAST TRAY.



3) INSTALL CAST FACE PLATE.



4) FINISHED.



PRODUCT CODE

HRCL STEPLIGHT

UNITS INCHES

SIZE LETTER

DRW BY PARM

DATE 02OCT01

DESCRIPTION INSTALLATION INSTRUCTIONS

SHEET 10F1

DES BY

DATE

MATERIAL N/A

SCALE 1:5

APRV BY DAN

DATE 02OCT01

C:\Users\Verling\Other\Photo_Logo_Mgr