



# CILINDRO

## EUDC

### STANDARD FEATURES

- Heavy gauge spun aluminum housings
- Three sizes - 8", 10" and 12" diameter
- Aluminum or adjustable arms
- Clear fl at lens standard
- Die-cast clip and hang wall plate
- Incandescent, compact fluorescent and HID sources



Intertek



SERIES	MODEL	SIZE	LAMP	VOLT	LUMENS	CCT	CONTROL	REFLECTOR	COLOR	MOUNTING	OPTIONS			
EUDC - U/D = UP/DOWN	900	8=SMALL	16W	120-277UNV 277-347UNV	2200	3500	0-10V DIM	AC= CLEAR CONE GC= GOLD CONE WC= WHITE CONE BB= BLACK BAFFLE WB= WHITE BAFFLE	TAL: Textured Aluminum TBK: Textured Black TBZ: Textured Bronze TWH: Textured White	ADJ = ADJUSTABLE ARM WAM = WALL ARM MOUNT SM = STEM MOUNT CM = CEILING MOUNT	MS= MOTION SENSOR RD= REMOTE DIMMING BT= BLUETOOTH EM= EMERGENCY BACKUP PE1= PHOTOCELL 120V PE2= PHOTOCELL 277V			
					2265	4000								
					2335	5000								
		EUDC - D/L = DOWN-LIGHT ONLY			10= MEDIUM	12= LARGE						88W	11,062	3500
													11344	4000
													12187	5000

### ORDERING INFORMATION

SERIES	MODEL	SIZE	LAMP	VOLT	LUMENS	CCT	CONTROL	REFLECTOR	COLOR	MOUNTING	OPTIONS

Consult factory for voltage and other lamp options. Product specifications subject to change without notice.

1. Programmable drivers at the PACE factory
2. Color tunable
3. Capable of remote dimming
4. Can be equipped with motion sensors for on/off functioning
5. Can be equipped with light sensors for dusk-to-dawn automatic on/off operation
6. Bluetooth commissioning sensor capability for Android and iOS

Although PACE has prepared the information contained in this document with all due care, PACE does not warrant or represent that the information is free from errors or omission. Whilst the information is considered to be true and correct at the date of publication, changes in circumstances after the time of publication may impact on the accuracy of the information. The information may change without notice and PACE is not in any way liable for the accuracy of any information printed and stored or in any way interpreted or used.

In the interest of product improvement, Pace reserves the right to make technical and product specification changes without notice. Consult factory for voltage and other lamp options.



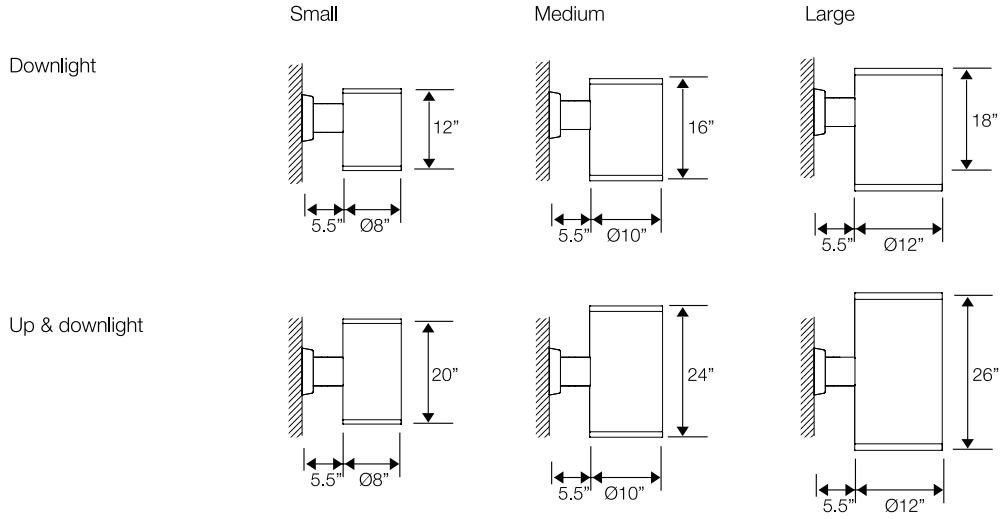
# CILINDRO

## EUDC

**SIZES**  
 Small - 8" diameter  
 Medium - 10" diameter  
 Large - 12" diameter

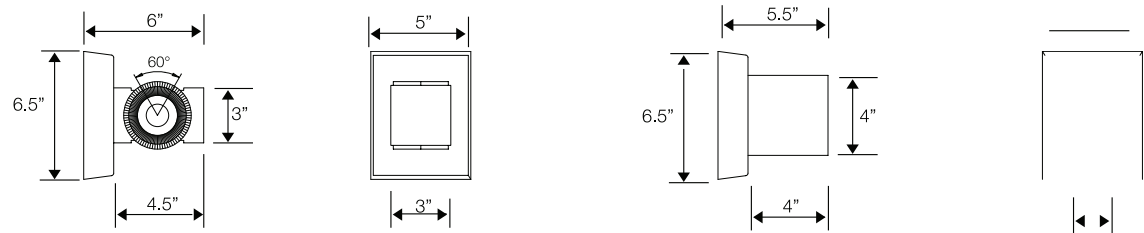
**MOUNTING**  
 Wall arm mount  
 Pole arm mount  
 Wall mount adjustable

**COLOR**  
 Textured or smooth polyester powder coat finishes  
 RAL Colors available



ADJ = adjustable arm mount

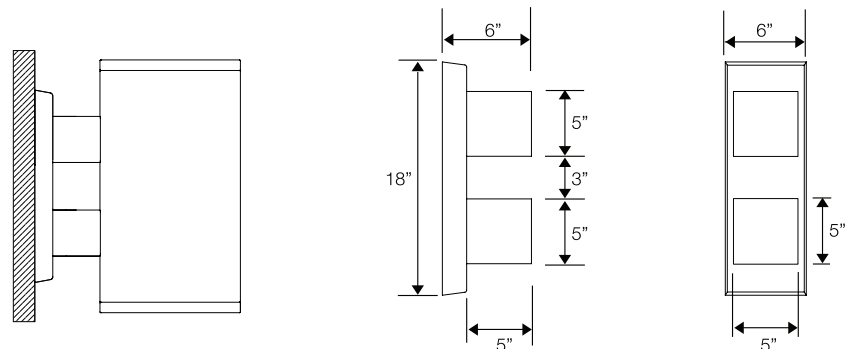
PAM = pole arm mount



Double arm for HID up/down

Side View

Canopy Details



Although PACE has prepared the information contained in this document with all due care, PACE does not warrant or represent that the information is free from errors or omission. Whilst the information is considered to be true and correct at the date of publication, changes in circumstances after the time of publication may impact on the accuracy of the information. The information may change without notice and PACE is not in any way liable for the accuracy of any information printed and stored or in any way interpreted or used.

In the interest of product improvement, Pace reserves the right to make technical and product specification changes without notice. Consult factory for voltage and other lamp options.