



PAMPAS

TPPM Pendant

STANDARD FEATURES

- Classic architectural design
- Three sizes - 10", 14.5" and 20" square
- Heavy gauge aluminum construction suitable for rigorous outdoor environments
- Four optical distributions, two lens options
- Heavy duty ceiling canopy with 3/4" diameter stem
- 30° hang straight canopy
- HPF magnetic ballasts for HID and electronic ballasts for compact fluorescent
- Stainless steel hardware
- Textured or smooth powder coated finishes
- Optional matching wall arm mount available



Intertek



SERIES	MODEL	SIZE	LAMP^	VOLT	LUMENS	CCT	CONTROL	COLOR	MOUNTING	
TPPM-I = OPAL LENS	4000	M=MEDIUM	31WLED	120-277 UNV 347-480 UNV	4510	4000	0-10V DIM	TAL: Textured Aluminum TBK: Textured Black TBZ: Textured Bronze TWH: Textured White	SM6 = 6" LONG STEM SM12 = 12" LONG STEM SM18 = 18" LONG STEM SMXX = CUSTOM LENGTH STEM CM = CEILING FLUSH MOUNT WAM = WALL ARM MOUNT	EM= emergency backup MS = Motion sensor BT = Bluetooth sensor RD = Remote dimming PE = Photocell installed at factory
		L=LARGE	31WLED	4510	4000					

ORDERING INFORMATION

SERIES	MODEL	SIZE	LAMP^	VOLT	LUMENS	CCT	CONTROL	COLOR	MOUNTING	

Consult factory for voltage and other lamp options. Product specifications subject to change without notice.

1. Programmable drivers at the PACE factory
2. Color tunable
3. Capable of remote dimming
4. Can be equipped with motion sensors for on/off functioning
5. Can be equipped with light sensors for dusk-to-dawn automatic on/off operation
6. Bluetooth commissioning sensor capability for Android and iOS

Although PACE has prepared the information contained in this document with all due care, PACE does not warrant or represent that the information is free from errors or omission. Whilst the information is considered to be true and correct at the date of publication, changes in circumstances after the time of publication may impact on the accuracy of the information. The information may change without notice and PACE is not in any way liable for the accuracy of any information printed and stored or in any way interpreted or used.

In the interest of product improvement, Pace reserves the right to make technical and product specification changes without notice. Consult factory for voltage and other lamp options.



PAMPAS

TPPM Pendant

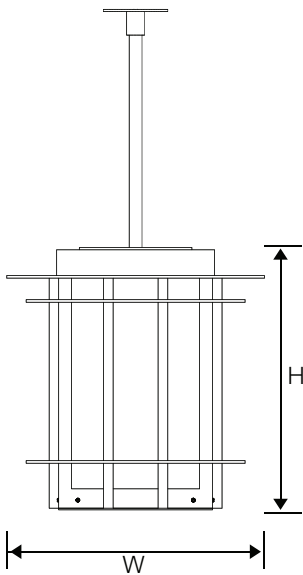
SIZES
 Small = 10.5" x 10.5"
 Medium = 14.5" x 14.5"
 Large = 20" x 20"

MOUNTING
 Pendant; 30° swivel canopy standard
 See technical data sheet for details

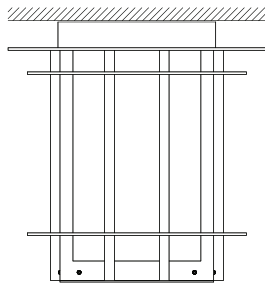
COLOR
 Textured or smooth polyester powder coat finishes
 RAL colors available

DIMENSIONS

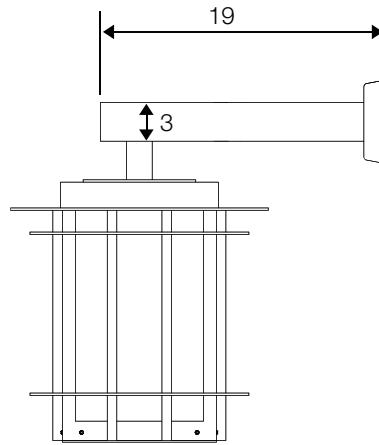
TPPM = pendant



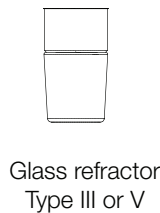
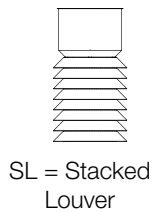
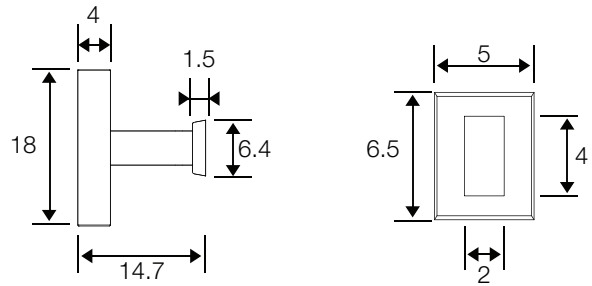
CM = ceiling mount



WAM = wall arm



WMB = wall mount bracket



	W	H
Small	10.5"	10.5"
Medium	14.5"	14.5"
Large	20"	20"

Although PACE has prepared the information contained in this document with all due care, PACE does not warrant or represent that the information is free from errors or omission. Whilst the information is considered to be true and correct at the date of publication, changes in circumstances after the time of publication may impact on the accuracy of the information. The information may change without notice and PACE is not in any way liable for the accuracy of any information printed and stored or in any way interpreted or used.

In the interest of product improvement, Pace reserves the right to make technical and product specification changes without notice. Consult factory for voltage and other lamp options.