



POLES

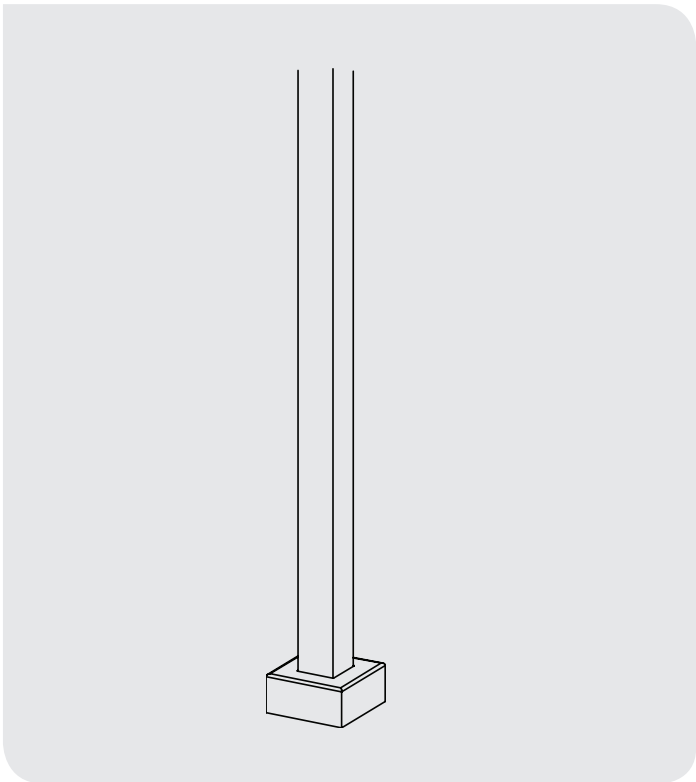
STRAIGHT SQUARE STEEL

STANDARD FEATURES

- Heavy wall square steel tubing- 1/2" or 3/4" thick steel base plate
- Continuously welded base plate
- Hand hole and cover
- Zinc plated anchor bolts and mounting hardware- Base cover or nut cover
- Pole furnished with ground lug



Intertek



SERIES	SIZE	HEIGHT	TOP	MOUNTING	COLOR	OPTIONS
SSSP	4"	8 FOOT	O = OPEN C = CAP T = TENON*	PPAM = POLE ARM MOUNT PAM2/180 = 2 ARMS AT 180° PAM2/90 = 2 ARMS AT 90° PAM3C/180 = ARMS AT 180° WITH CENTER HEAD PAM3/90 = 3 ARMS AT 90° PAM3/120 = 3 ARMS AT 120° PAM4C/90 = 3 ARMS AT 90° WITH CENTER HEAD PAM 4C/120 = 3 ARMS AT 120° WITH CENTER HEAD PAM4/90 = 4 ARMS AT 90° PAM5C/90 = 4 ARMS AT 90° WITH CENTER HEAD * MUST SPECIFY TENON SHAPE, HEIGHT AND DIAMETER	TAL : Textured Aluminum TBK : Textured Black TBZ : Textured Bronze TWH : Textured White	DR = duplex receptacle GFIR = GFI receptacle BA1 = banner arm BA2 = twin banner arm BC = base cover NC = nut cover
		10 FOOT				

ORDERING INFORMATION

SERIES	SIZE	HEIGHT	TOP	MOUNTING	COLOR	OPTIONS

Die cast and spun aluminum base covers
 Zinc plated anchor bolts and mounting hardware
 Standard powder coat finishes

Although PACE has prepared the information contained in this document with all due care, PACE does not warrant or represent that the information is free from errors or omission. Whilst the information is considered to be true and correct at the date of publication, changes in circumstances after the time of publication may impact on the accuracy of the information. The information may change without notice and PACE is not in any way liable for the accuracy of any information printed and stored or in any way interpreted or used.

In the interest of product improvement, Pace reserves the right to make technical and product specification changes without notice. Consult factory for voltage and other lamp options.



POLES

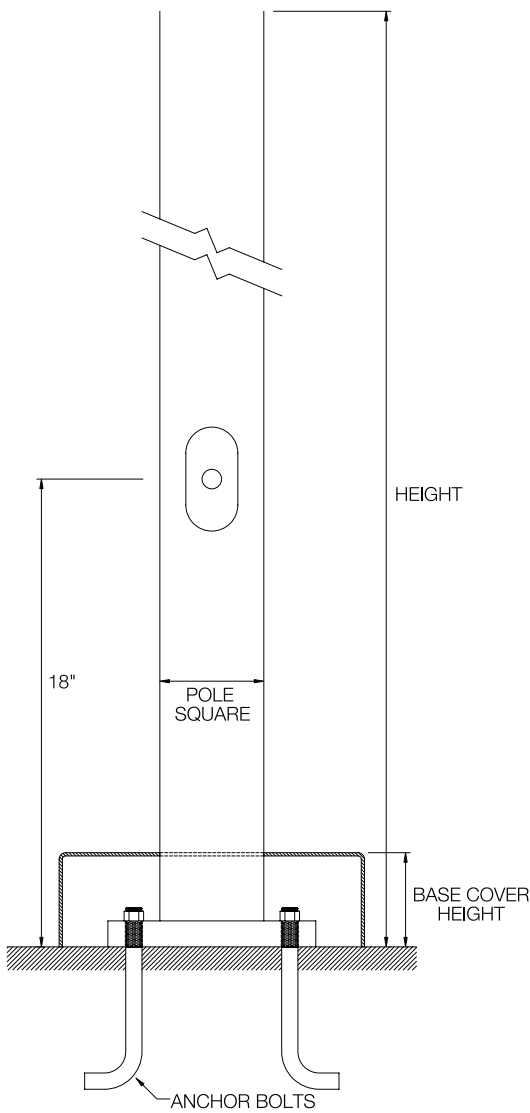
STRAIGHT SQUARE STEEL

SIZES

- 4"
- 5"

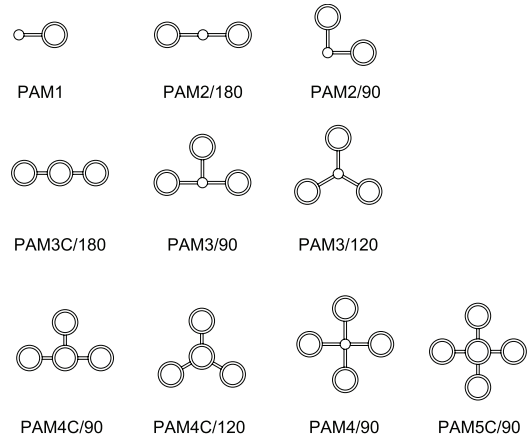
COLOR

- Textured Aluminum
- Textured Black
- Textured Bronze
- Textured White



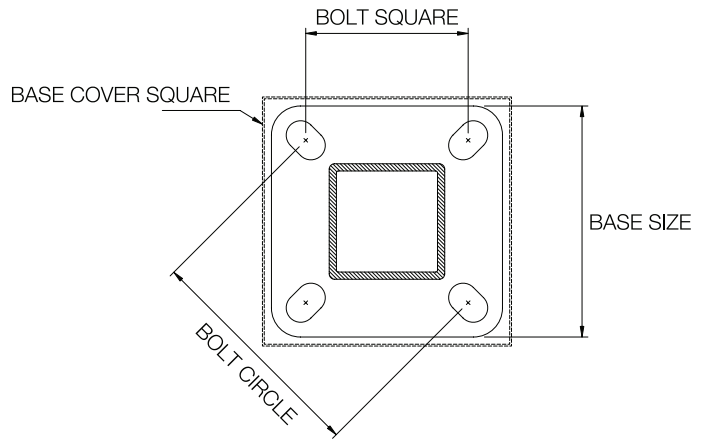
.....

Mounting Configurations



.....

PLEASE SEE CHART ABOVE FOR DIMENSIONS



Although PACE has prepared the information contained in this document with all due care, PACE does not warrant or represent that the information is free from errors or omission. Whilst the information is considered to be true and correct at the date of publication, changes in circumstances after the time of publication may impact on the accuracy of the information. The information may change without notice and PACE is not in any way liable for the accuracy of any information printed and stored or in any way interpreted or used.

In the interest of product improvement, Pace reserves the right to make technical and product specification changes without notice. Consult factory for voltage and other lamp options.