



PACE
ILLUMINATION

POLES
TAPERED ROUND ALUMINUM

STANDARD FEATURES

- Seamless extruded 6063 aluminum alloy tubing
- Heat treated to produce a T6 temper
- Cast aluminum base
- Continuously welded base plate
- Hand hole and cover
- Zinc plated anchor bolts and mounting hardware
- Base cover or nut cover
- Pole furnished with ground lug



Intertek



SERIES	SIZE	HEIGHT	TOP	MOUNTING	COLOR	OPTIONS
TRAP	4" 5"	8 FOOT 10 FOOT 12 FOOT 14 FOOT 16 FOOT 18 FOOT 17 FOOT 20 FOOT	O = OPEN C = CAP T = TENON*	<p>PAM = POLE ARM MOUNT</p> <p>PAM2/180 = 2 ARMS AT 180°</p> <p>PAM2/90 = 2 ARMS AT 90°</p> <p>PAM3C/180 = ARMS AT 180° WITH CENTER HEAD</p> <p>PAM3/90 = 3 ARMS AT 90°</p> <p>PAM3/120 = 3 ARMS AT 120°</p> <p>PAM4C/90 = 3 ARMS AT 90° WITH CENTER HEAD</p> <p>PAM 4C/120 = 3 ARMS AT 120° WITH CENTER HEAD</p> <p>PAM4/90 = 4 ARMS AT 90°</p> <p>PAM5C/90 = 4 ARMS AT 90° WITH CENTER HEAD</p> <p>* MUST SPECIFY TENON SHAPE, HEIGHT AND DIAMETER</p>	<p>TAL: Textured Aluminum</p> <p>TBK: Textured Black</p> <p>TBZ: Textured Bronze</p> <p>TWH: Textured White</p>	<p>DR = duplex receptacle</p> <p>GFIR = GFI receptacle</p> <p>BA1 = banner arm</p> <p>BA2 = twin banner arm</p> <p>BC = base cover</p> <p>NC = nut cover</p>

ORDERING INFORMATION

SERIES	SIZE	HEIGHT	TOP	MOUNTING	COLOR	OPTIONS

Die cast and spun aluminum base covers
Zinc plated anchor bolts and mounting hardware
Standard powder coat finishes

Although PACE has prepared the information contained in this document with all due care, PACE does not warrant or represent that the information is free from errors or omission. Whilst the information is considered to be true and correct at the date of publication, changes in circumstances after the time of publication may impact on the accuracy of the information. The information may change without notice and PACE is not in any way liable for the accuracy of any information printed and stored or in any way interpreted or used.

In the interest of product improvement, Pace reserves the right to make technical and product specification changes without notice. Consult factory for voltage and other lamp options.



POLES

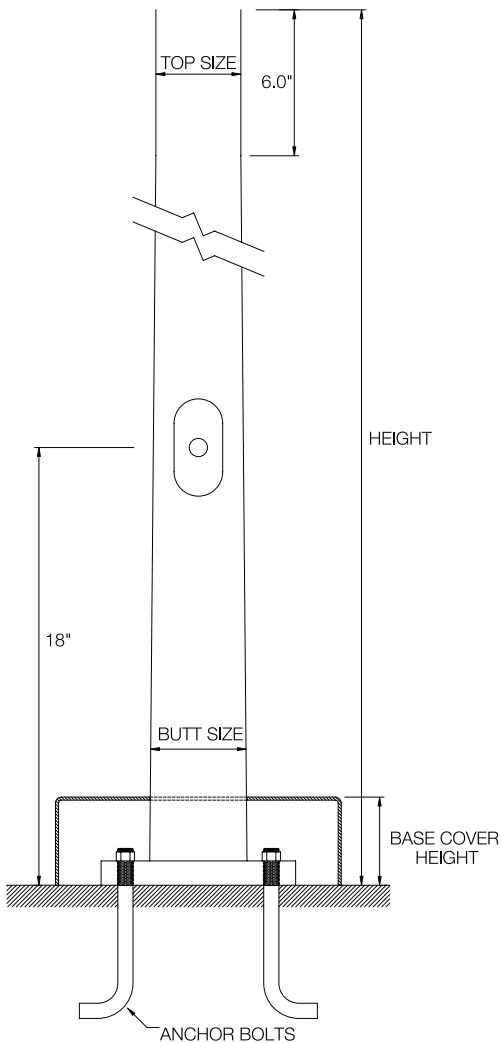
TAPERED ROUND ALUMINUM

SIZES

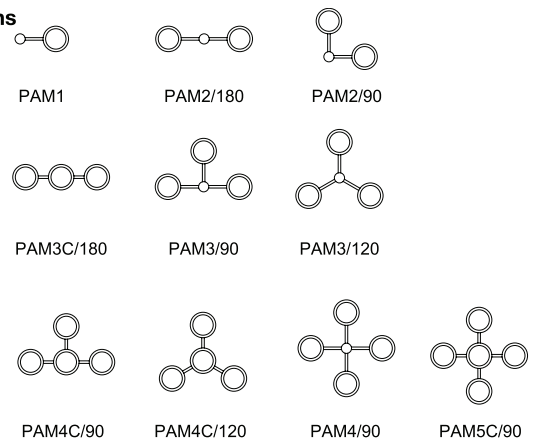
- 4"
- 5"

COLOR

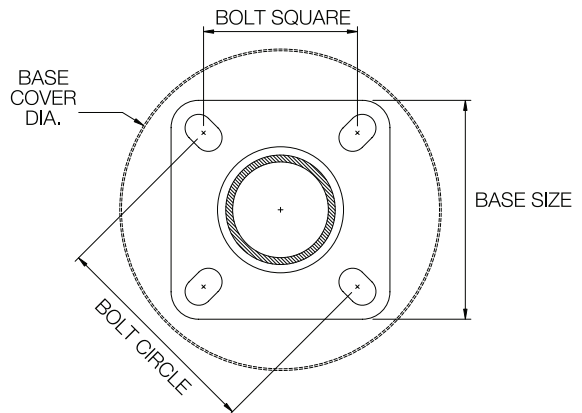
- Textured Aluminum
- Textured Black
- Textured Bronze
- Textured White



Mounting Configurations



PLEASE SEE CHART ABOVE FOR DIMENSIONS



Although PACE has prepared the information contained in this document with all due care, PACE does not warrant or represent that the information is free from errors or omission. Whilst the information is considered to be true and correct at the date of publication, changes in circumstances after the time of publication may impact on the accuracy of the information. The information may change without notice and PACE is not in any way liable for the accuracy of any information printed and stored or in any way interpreted or used.

In the interest of product improvement, Pace reserves the right to make technical and product specification changes without notice. Consult factory for voltage and other lamp options.