



URBANICA

UAWS 1 - sconce

STANDARD FEATURES

- Cast and spun aluminum construction
- Heavy gauge spun aluminum back box mounts directly over a recessed junction box
- UV stabilized acrylic
- HPF ballast, magnetic for HID and low THD electronic for PL
- Stainless steel hardware
- Durable polyester powder coat paint finishes
- Matching post-top and wall arm mount available



Intertek



SERIES	MODEL	SIZE	LAMP	VOLT	LUMENS	CCT	CONTROL	LENS	BANDS	COLOR	OPTIONS
UAWS1	1450	S = SMALL L = LARGE	30W/LED	120-277UNV 347-480UNV	4100	5000K	0-10V DIM	OL = OPAL LENS	WB = WIDE BAND DB = DOUBLE BAND SB = SINGLE BAND CB = COLOR BAND	TEXTURED FINISHES TAL = TEXTURED ALUMINUM TBK = TEXTURED BLACK TBZ = TEXTURED BRONZE TWH = TEXTURED WHITE	SF = SINGLE FUSE 120, 277, 347V EM = Emergency Backup MS = Motion sensor BT = Bluetooth sensor RD = Remote dimming PE = Photocell installed at factory
					4000	4000K		FL = FROSTED LENS			
					3900	3000K					
			50W/LED		6530	5000K					
			6300		4000K						
			6075		3000K						

ORDERING INFORMATION

SERIES	MODEL	SIZE	LAMP	VOLT	LUMENS	CCT	CONTROL	LENS	BANDS	COLOR	OPTIONS

Consult factory for voltage and other lamp options. Product specifications subject to change without notice.

1. Programmable drivers at the PACE factory
2. Color tunable
3. Capable of remote dimming
4. Can be equipped with motion sensors for on/off functioning
5. Can be equipped with light sensors for dusk-to-dawn automatic on/off operation
6. Bluetooth commissioning sensor capability for Android and iOS

Although PACE has prepared the information contained in this document with all due care, PACE does not warrant or represent that the information is free from errors or omission. Whilst the information is considered to be true and correct at the date of publication, changes in circumstances after the time of publication may impact on the accuracy of the information. The information may change without notice and PACE is not in any way liable for the accuracy of any information printed and stored or in any way interpreted or used.

In the interest of product improvement, Pace reserves the right to make technical and product specification changes without notice. Consult factory for voltage and other lamp options.



PACE
ILLUMINATION

URBANICA

UAWS 1 - sconce

SIZES

Small = 16" diameter

Large = 22" diameter

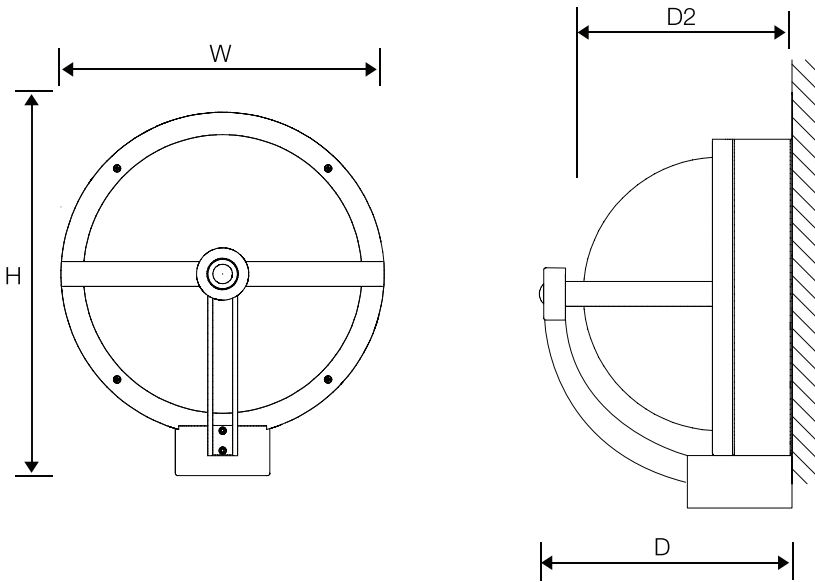
MOUNTING

Wall mount

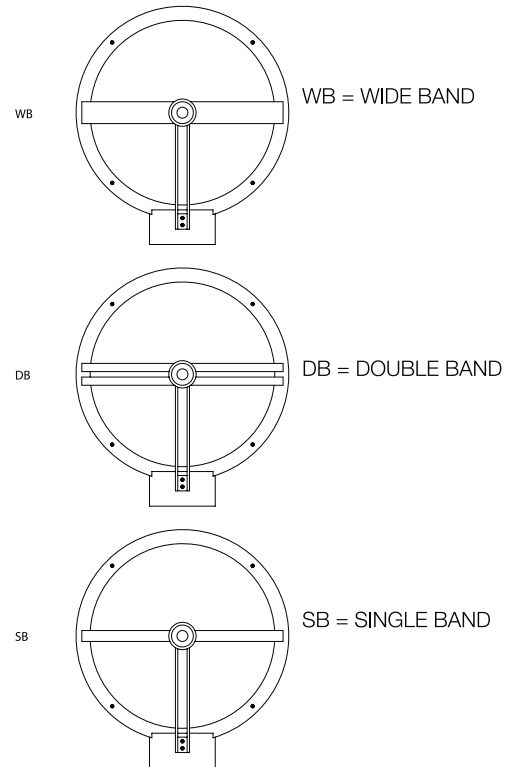
COLOR

Textured or smooth polyester powder coat finishes

RAL colors available



Band Styles



	H	W	D	D2
Small	18.0"	16.0"	12.5"	10.5"
Large	24.0"	22.0"	15.5"	12.5"

Although PACE has prepared the information contained in this document with all due care, PACE does not warrant or represent that the information is free from errors or omission. Whilst the information is considered to be true and correct at the date of publication, changes in circumstances after the time of publication may impact on the accuracy of the information. The information may change without notice and PACE is not in any way liable for the accuracy of any information printed and stored or in any way interpreted or used.

In the interest of product improvement, Pace reserves the right to make technical and product specification changes without notice. Consult factory for voltage and other lamp options.