



PACE
ILLUMINATION

SLOOP

ASLED-Pole Mount

STANDARD FEATURES

- Die-cast aluminum housing in two sizes
- Die-cast hinged and gasketed lens frame
- Lumen output consistent for both CCT choices
- Clear tempered glass lens
- Stainless Steel Fasteners
- 5 year limited warranty
- 40 WATT LED



Intertek



SERIES	MODEL	SIZE	OPTICS	VOLT	LUMENS	CCT	CONTROL	COLOR	MOUNTING	COMMON OPTIONS
ASLED	1650	S=40W	1=TYPE I	120-277UNV 347-480UNV	4221	3500	0-10V DIM	TAL: Textured Aluminum TBK: Textured Black TBZ: Textured Bronze TWH: Textured White	YM1= Yoke mount FM= Flush mount WAM= Wall arm mount ADJ= Adjustable arm mount PAM= Pole arm mount ^ APM= Adjustable pole mount ^^	Photo cell factory installed PE1= 120V PE2= 277V PE3= 347V EM = Emergency Backup MS = Motion sensor BT = Bluetooth sensor RD = Remote dimming
			2=TYPE II		4304	4000				
			3=TYPE III		4502	5000				
		L=140W			12,500	4000				
		L=280W			32,000	4000				

ORDERING INFORMATION

SERIES	MODEL	SIZE	OPTICS	VOLT	LUMENS	CCT	CONTROL	COLOR	MOUNTING	COMMON OPTIONS

^ Please indicate pole dimensions when ordering / ^^ APM mounts over 2 3/8" O.D. x 3" Tenon / Other CCT colors available

Consult factory for voltage and other lamp options. Product specifications subject to change without notice.

1. Programmable drivers at the PACE factory
2. Color tunable
3. Capable of remote dimming
4. Can be equipped with motion sensors for on/off functioning
5. Can be equipped with light sensors for dusk-to-dawn automatic on/off operation
6. Bluetooth commissioning sensor capability for Android and iOS

Although PACE has prepared the information contained in this document with all due care, PACE does not warrant or represent that the information is free from errors or omission. Whilst the information is considered to be true and correct at the date of publication, changes in circumstances after the time of publication may impact on the accuracy of the information. The information may change without notice and PACE is not in any way liable for the accuracy of any information printed and stored or in any way interpreted or used.

In the interest of product improvement, Pace reserves the right to make technical and product specification changes without notice. Consult factory for voltage and other lamp options.



SLOOP

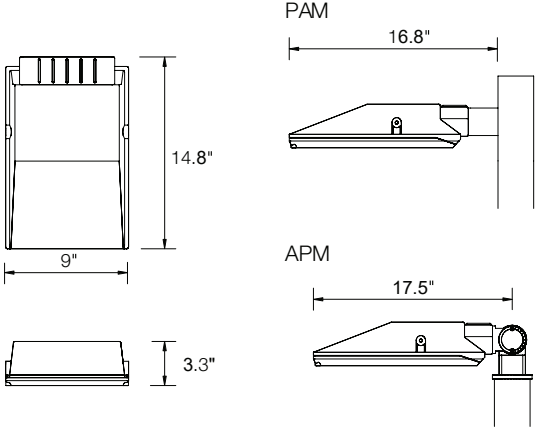
ASLED-Pole Mount

SIZES
 Small=9"x14.8"
 Large=15.5"x24.2"

MOUNTING
 Available in pole and adjustable mount

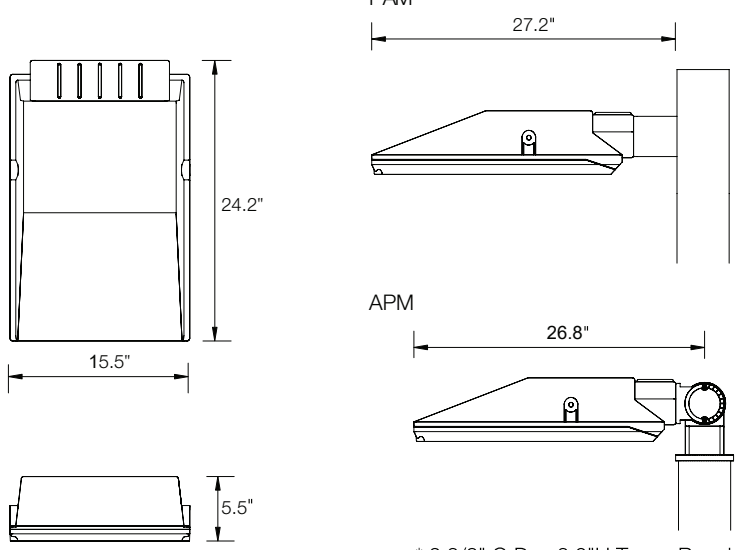
COLOR
 Textured or smooth polyester powder coat finishes RAL colors available

SMALL

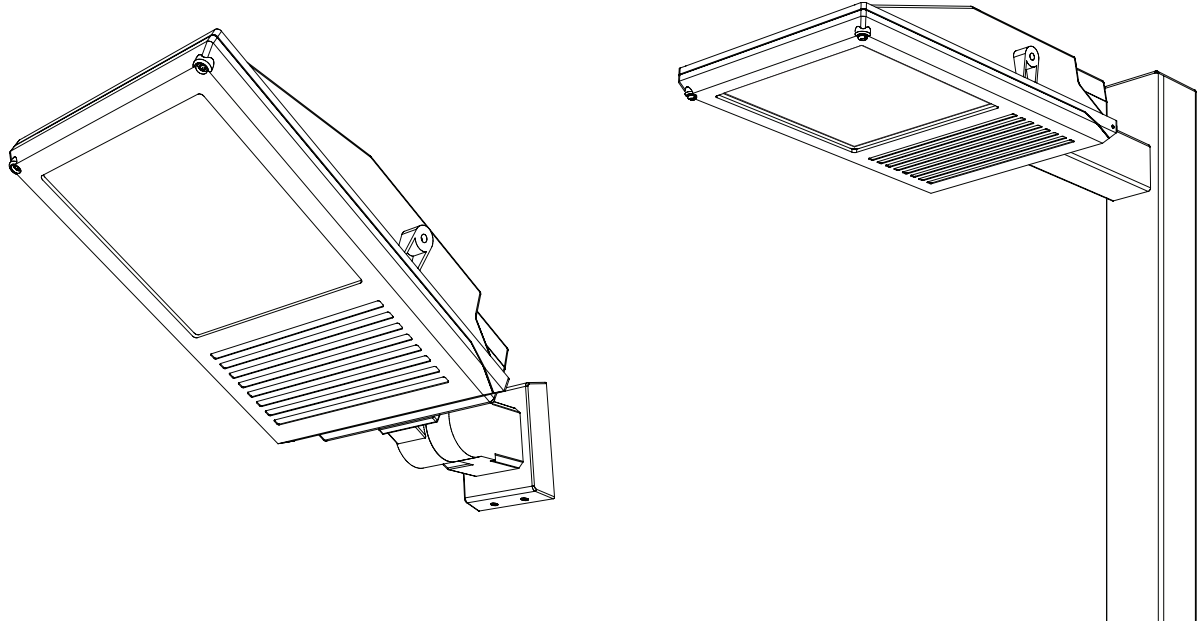


IP65 Rated

LARGE



* 2 3/8" O.D. x 3.0"H Tenon Required



Although PACE has prepared the information contained in this document with all due care, PACE does not warrant or represent that the information is free from errors or omission. Whilst the information is considered to be true and correct at the date of publication, changes in circumstances after the time of publication may impact on the accuracy of the information. The information may change without notice and PACE is not in any way liable for the accuracy of any information printed and stored or in any way interpreted or used.

In the interest of product improvement, Pace reserves the right to make technical and product specification changes without notice. Consult factory for voltage and other lamp options.